

15 Color Programs(Only for RGB lamps)

- 1 Fixed Blue
- 2 Fixed Red
- 3 Fixed Green
- 4 Fixed Red/Blue
- 5 Fixed Blue/Green
- 6 Fixed Red/Green
- 7 Fixed White
- 8 Cycle Red-Red/Green-Green
- 9 Cycle Green-Green/Blue-Blue
- 10 Cycle Red-Red/Blue-Blue
- 11 Cycle Red-Green-Blue,Speed from fast to low.
- 12 Same as program 11, the speed is slower.
- 13 Cycel Green-Red/Blue-Blue-Red-White-Blue/Green-Red/Green
- 14 Cycle gradual change of all colors.
- 15 Cycle gradual change of Red-Green-Blue.

Operation

Changing colors:

Turn the lamps OFF and quickly back ON (0-3 seconds)

Synchronizing multiple lamps:

1. All lamps need to be connected to the same transformer.
2. Turn the lamps OFF and back ON within 4-30 seconds.
3. All the lamps back to first program (blue)

Memorizing the last color:

Select the desired color, turn OFF the lamps more than 34 seconds, the chosen color has now been memorized.

Wall Mounted Lamp Installation Instruction



**PLEASE READ THE FOLLOWING CAREFULLY AND
KEEP THIS USER MANUAL SAVE FOR FUTURE REFERENCE**

DESCRIPTION	
ITEM NO.	W2003-S513RGB
POWER	40W
VOLTAGE	DC 12V 50/60Hz
COLOR	RGB
CONTROL	On/Off Control
LUM.	1700LM
LED TYPE	SMD2835 [513pcs]

IP68
1m

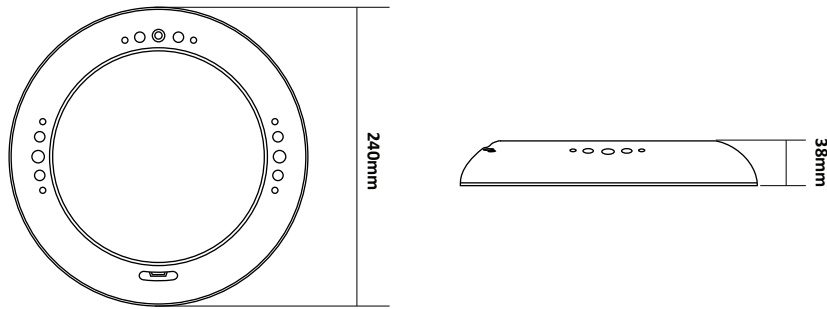


C E



RoHS

DIMENSION



INSTALLATION

1. Input voltage is AC12V. The lamps must be connected with transformer.
2. The junction box is located at least 1200mm from the edge of the pool.

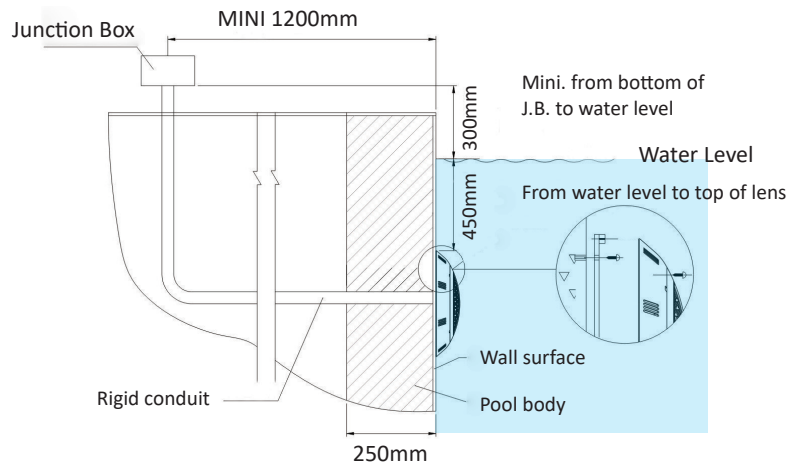
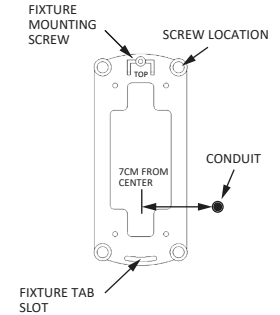
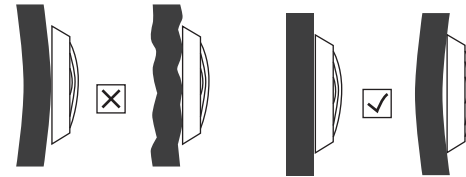


Figure 1

3. The mounting bracket must be properly installed so that the top edge of the light's lens is at least 450mm below the water level in the pool. see Figure 1.

4. Make sure the surface of pool wall is flat. Fix the bracket with 4pcs screws.



5. If the cable connection is done underwater, the connection part must be **waterproof protected** (use waterproof cable gland or fill with epoxy glue). Otherwise, the water will come in the lamp through the wires.



6. Connect all wires to the corresponding circuit wires in the junction box and feed epoxy.
7. Before operating the light for more than 10 seconds fill pool until the light is completely submerged in water.
8. It is easy to replace the lamp.

